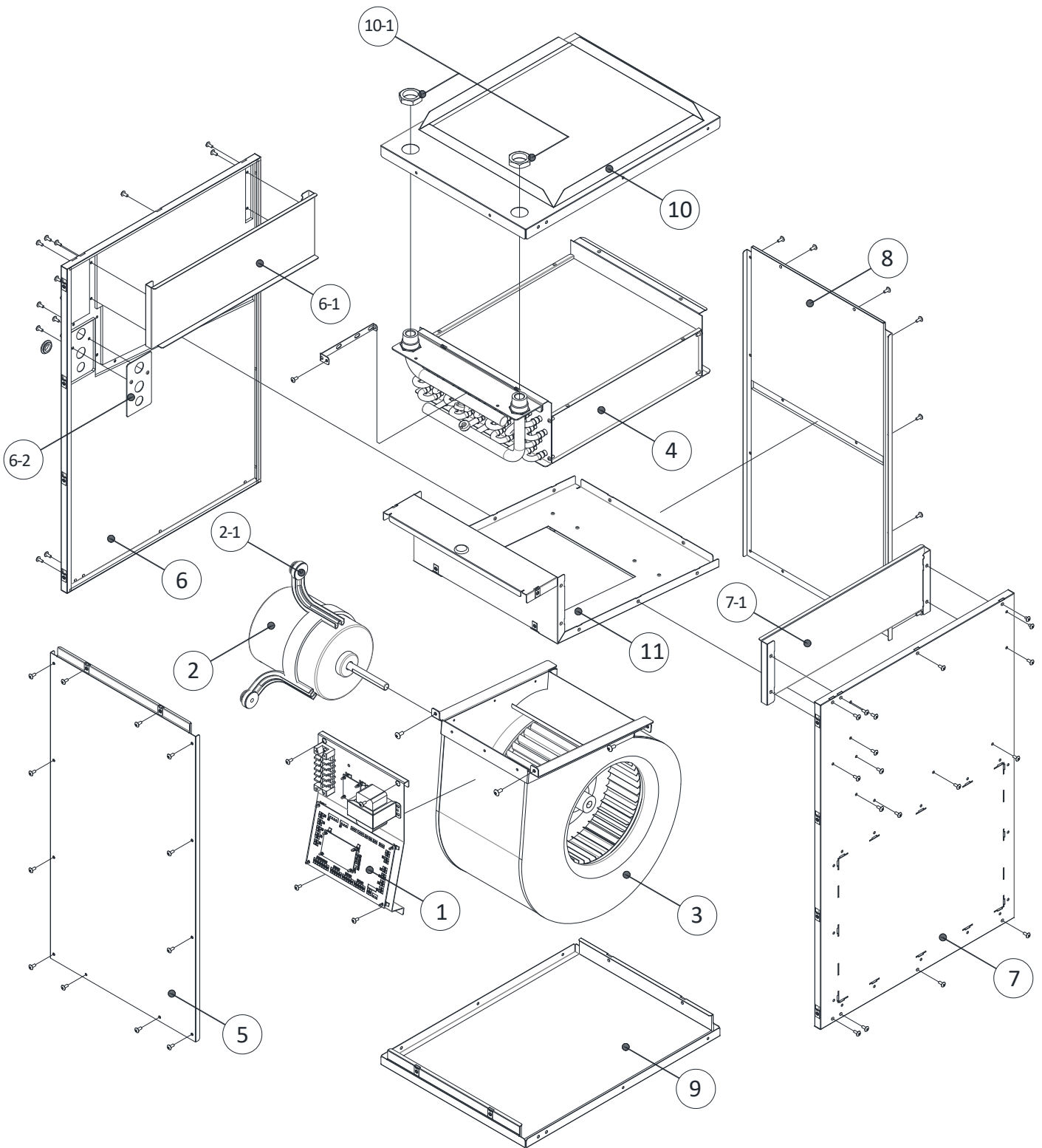


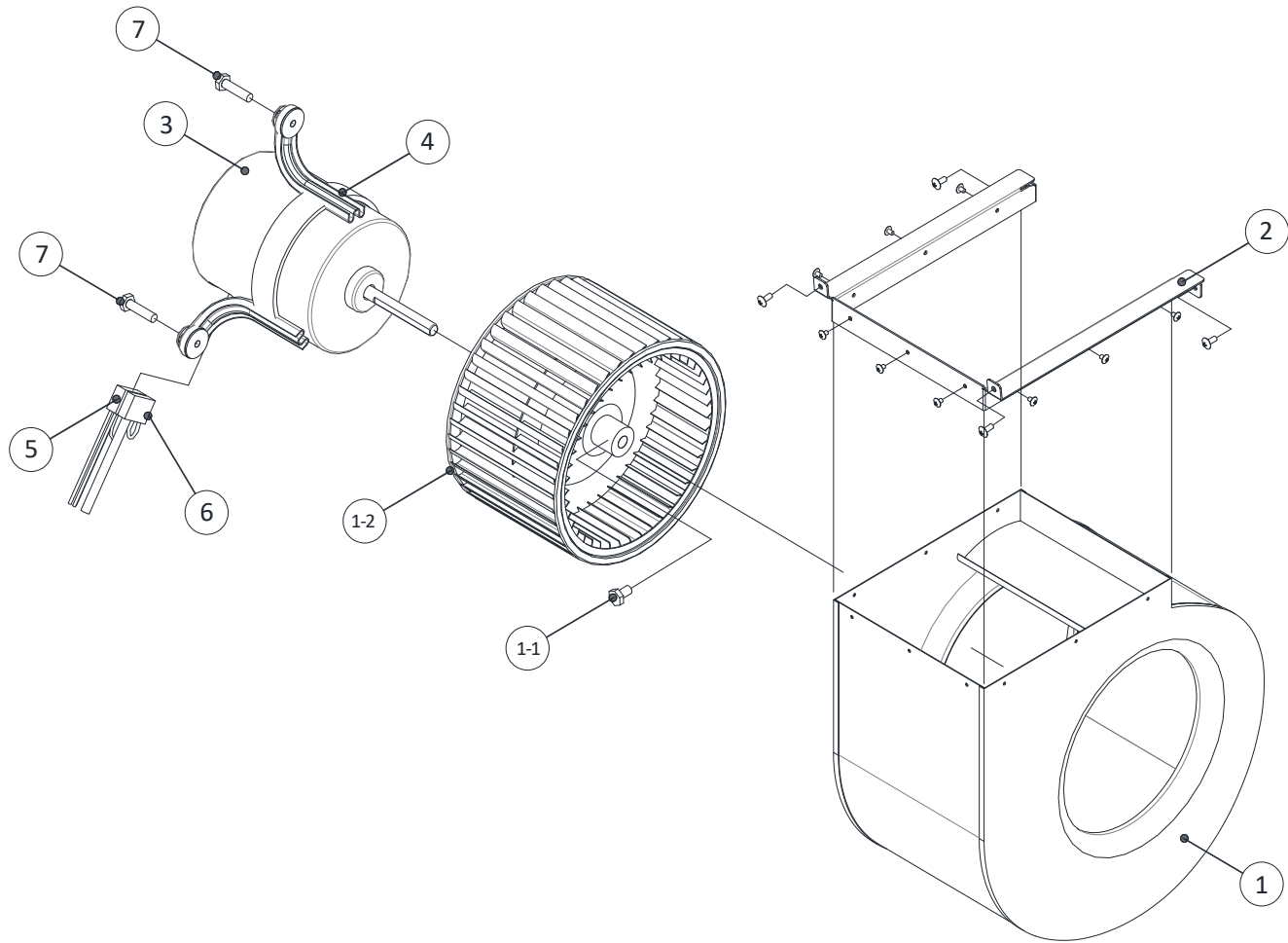
Component Assembly Diagrams and Parts Lists

Case Assembly



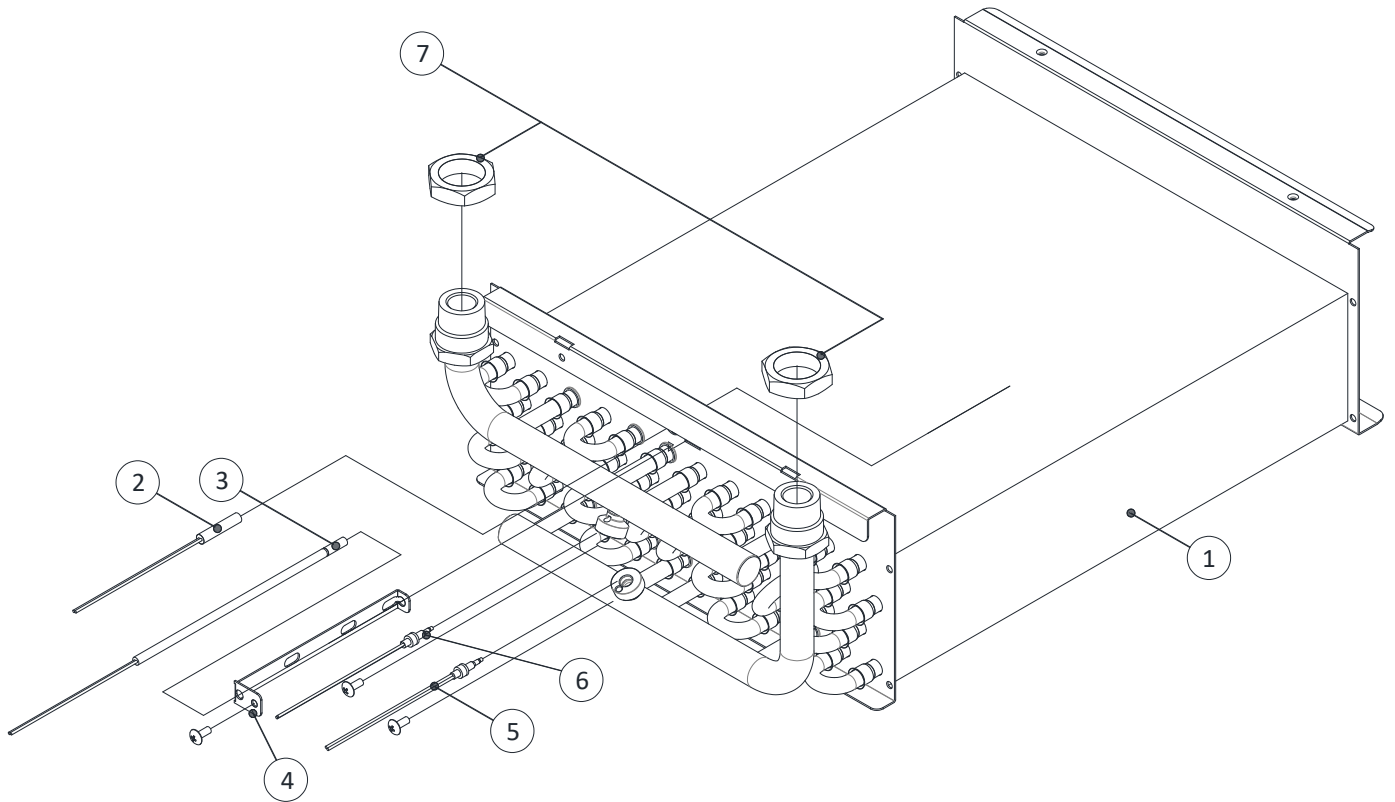
No	Description	Part #	Model	Remark
1	CTL Board Assembly	30CBA00A		
2	Blower Motor	2016121A	iFLH-14,160000	
		2018341A	iFLH-180000	
3	Blower Assembly	201408CW	iFLH-140000	DC-916-600-5CW
		201609CW	iFLH-160000	DC-916-704-5CW
		201810CW	iFLH-180000	DC-1020-800-5CW
4	Heat Exchanger	1014004A	iFLH-140000	
		1016004A	iFLH-160000	
		1018004A	iFLH-180000	
5	Front Cover	0014FC00A	iFLH-140000	
		0016FC00A	iFLH-160000	
		0018FC00A	iFLH-180000	
6	Left Case	0014LC00A	iFLH-140000	
		0016LC00A	iFLH-160000	
		0018LC00A	iFLH-180000	
6-1	Left Case Heat Exchange Guide	0014LG00A	iFLH-140000	
		0016LG00A	iFLH-160000	
		0018LG00A	iFLH-180000	
6-2	Left Case Hole Support	0000LS00A		
7	Right Case	0014RC11A	iFLH-140000	
		0016RC11A	iFLH-160000	
		0018RC11A	iFLH-180000	
7-1	Right Case Heat Exchange Guide	0014RG00A	iFLH-140000	
		0016RG00A	iFLH-160000	
		0018RG00A	iFLH-180000	
8	Rear Cover	0014RC00A	iFLH-140000	
		0016RC00A	iFLH-160000	
		0018RC00A	iFLH-180000	
9	Bottom Case	0014BC00A	iFLH-140000	
		0016BC00A	iFLH-160000	
		0018BC00A	iFLH-180000	
10	Top Case	0014TC00A	iFLH-140000	
		0016TC00A	iFLH-160000	
		0018TC00A	iFLH-180000	
10-1	Heat Exchange Pipe Nut	0000HN00A		
11	Middle Frame	0014MF00A	iFLH-140000	
		0016MF00A	iFLH-160000	
		0018MF00A	iFLH-180000	

Blower Assembly



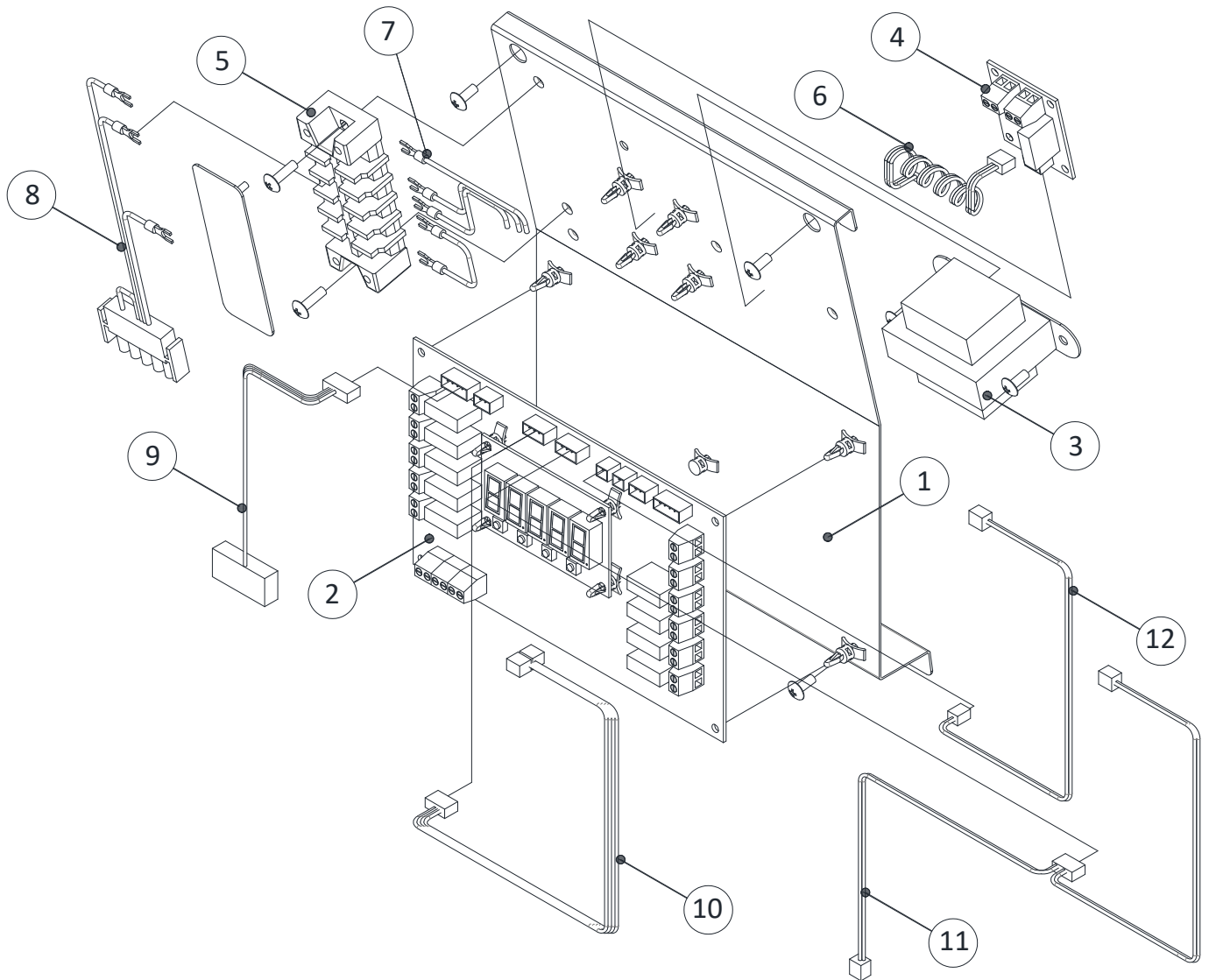
No	Description	Part #	Model	Remark
1	Blower Assembly Case	201408BC		
		201608BC		
		201808BC		
1-1	Blower Assembly Wheel Bolt	2000WB0A		
1-2	Blower Assembly Fan	201408BF		
		201608BF		
		201808BF		
2	Blower Assembly Bracket	2014081B	iFLH-140000	
		2016091B	iFLH-160000	
		2018101B	iFLH-180000	
3	Blower Motor	2016121A	iFLH-14,160000	
		2018341A	iFLH-180000	
4	Motor Bracket	2014008B	iFLH-14,160000	TR4803B
		20180084B	iFLH-180000	TR6884B
5	Motor CTL Cable	50MCTL1A		
6	Motor Power Cable	50121EON		
7	1/4"x1" Hex Cap Screw	50MBHCSA		

Heat Exchanger Assembly



No	Description	Part #	Model	Remark
1	Heat Exchanger	1014004A	iFLH-140000	
		1016004A	iFLH-160000	
		1018004A	iFLH-180000	
2	A/C Eva. Temp. Sensor	30ETS01B		
3	Air Supply Temp. Sensor	30ATS01B		
4	Air Supply Temp. Sensor Bracket	30ATB00A		
5	Water Return Temp. Sensor	30WTR01B		
6	Water Supply Temp. Sensor	30WTS01B		
7	Heat Exchange Pipe Nut	0000HN00A		

CTL Board Assembly



No	Description	Part #	Model	Remark
1	CTL Board panel	30CBP00A		
2	CTL Board Assembly	30CBA00A		
3	Transformer	4024401B		
4	Circulator CTL Board	30PCTL1A		
5	Terminal	400T001B		
6	Pump CTL Cable	50PCTL1A		
7	Pump CTL Board Power Cable	50PCPC0A		
8	Motor Power Cable	50121EON		16AWG
9	Motor CTL Cable	50MCTL1A		
10	SWRW Cable	50SWRW0A		
11	SARA Cable	50SARA0A		
12	EVA Cable	50EVAC0A		