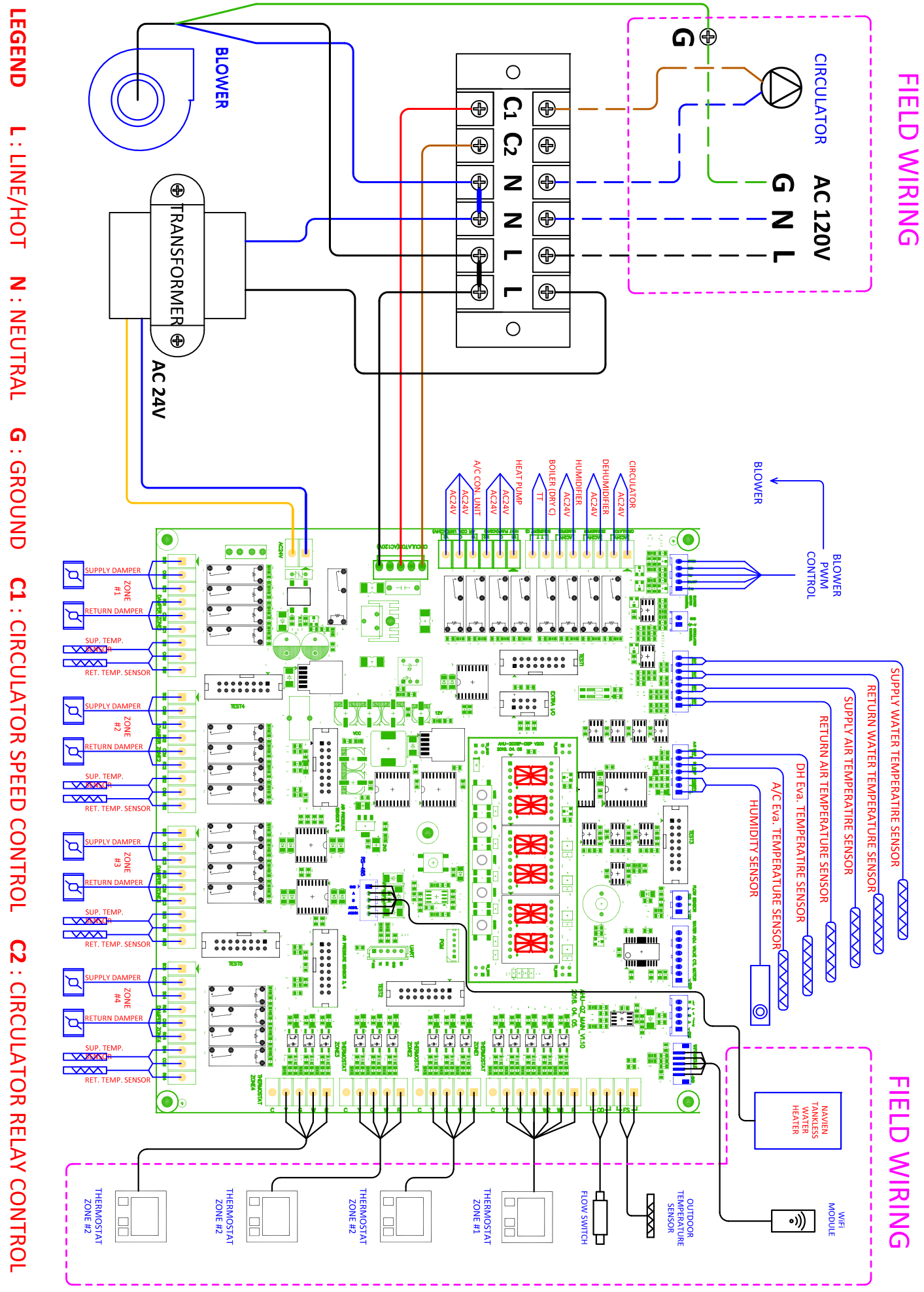


QUAD ZONE Wiring Diagram



FIELD WIRING

FIELD WIRING

LEGEND L: LINE/HOT N: NEUTRAL G: GROUND C1: CIRCULATOR SPEED CONTROL C2: CIRCULATOR RELAY CONTROL