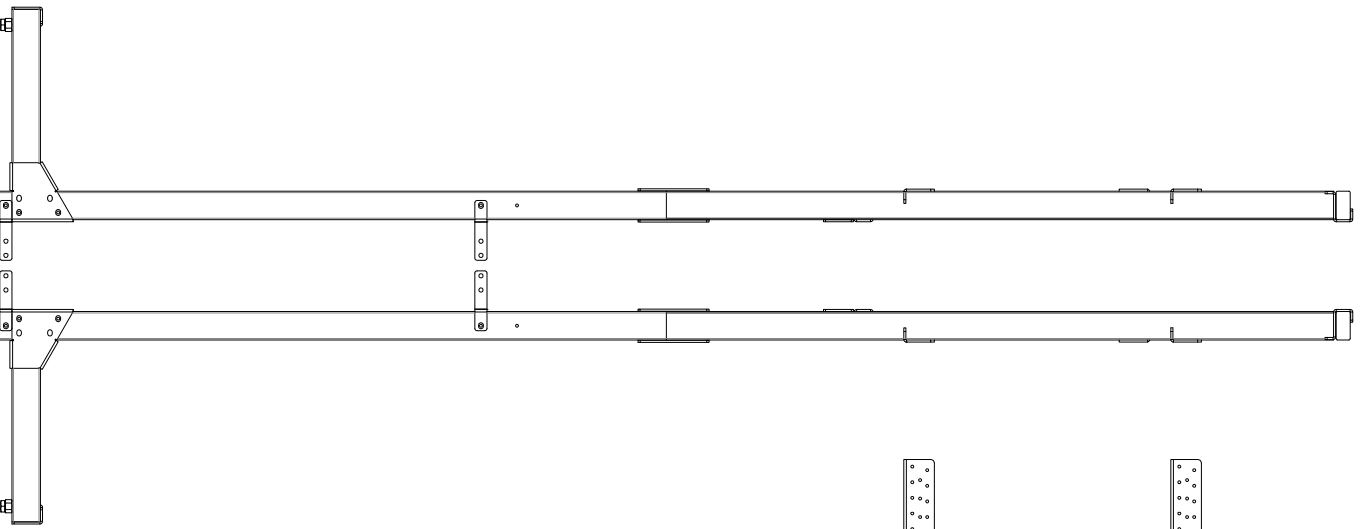
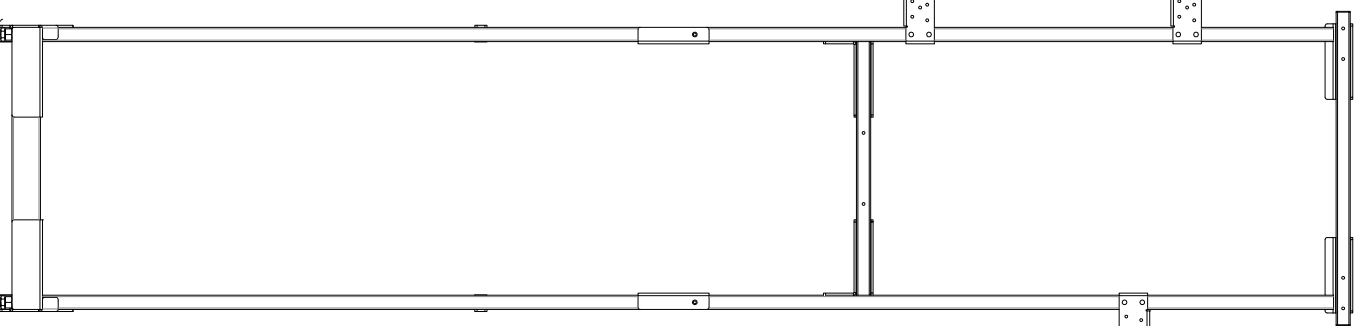


STAND ASSEMBLY INSTRUCTION

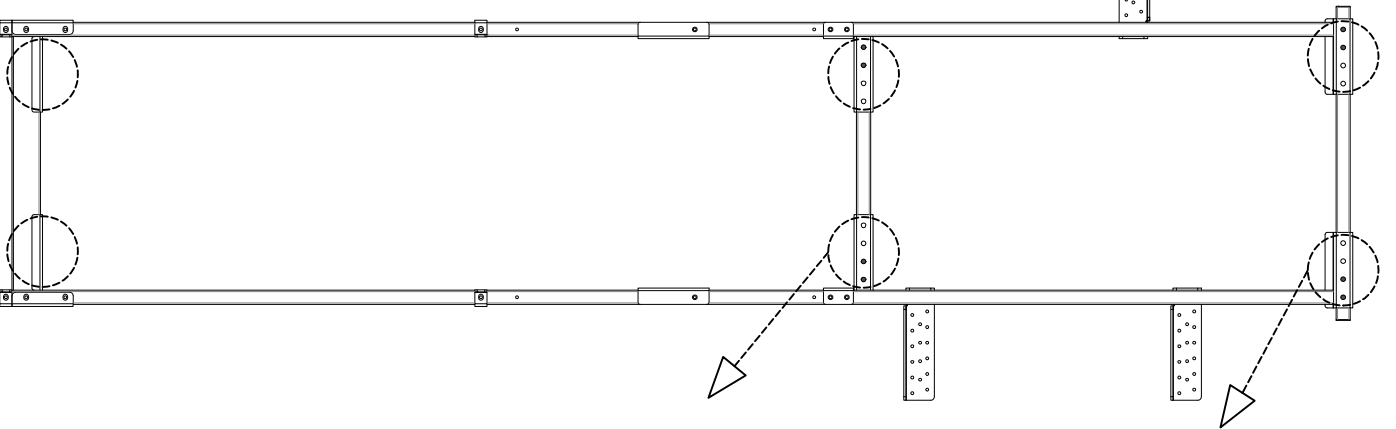
RH, LH SIDE VIEW



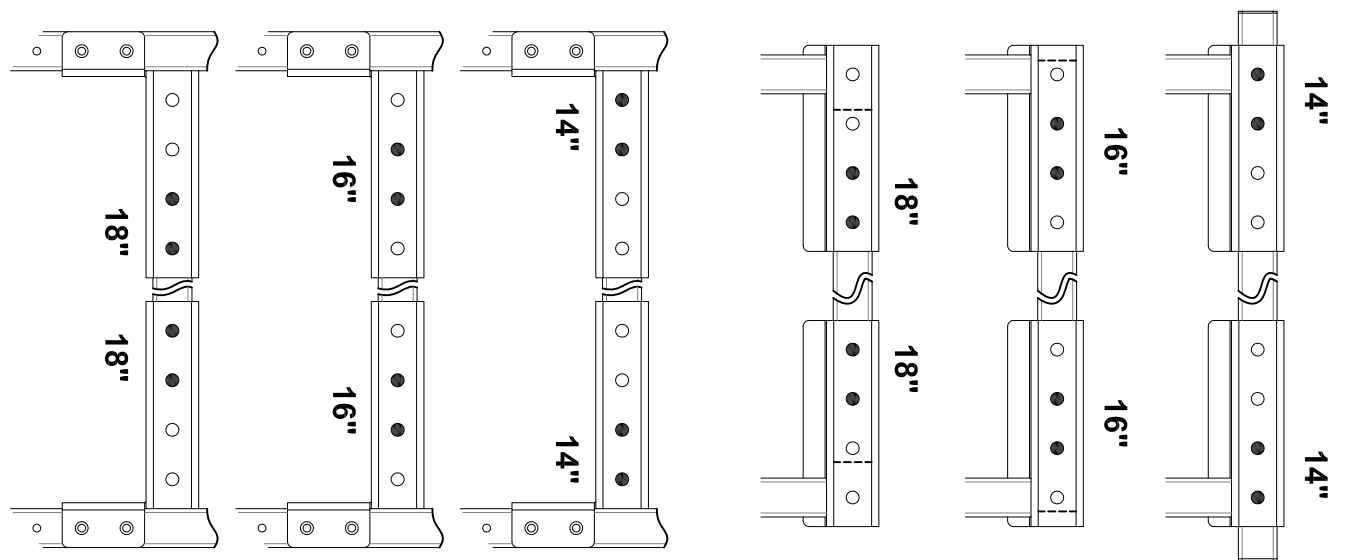
FRONT VIEW



BACK VIEW



SIZE ADJUSTMENT
(SCREW POSITION)



STAND ASSEMBLY

