



**iFLH - 160000**

**HIGH EFFICIENCY**

- Highest performance at 98% efficiency.(TPF 0.98 / CSA P .9-11)
- Ultra efficient heat exchanger design.
- Full modulation capabilities to suit space load requirements extending system run time and eliminating short cycles improving efficiency.
- Variable speed ECM blower provides control of air flow that can be adjusted to suit space load requirements and duct system.
- Intelligent pump modulation provides control of water flow that can be adjusted.

**COMFORT & FLEXIBILITY**

- Space zoning with integral control provides temperature control on each each level or specific rooms.
- Single, double, and quad smart zoning with integral control providing thermal storage technology.
- Hybrid heating system using dual fuels and match air handler with any hot water heat source.

**CONVENIENT & COST EFFECTIVE**

- Combine domestic hot water and space heating in one efficient system. Simple installation and easily configured parameters using push button display.
- Eliminates the venting of the space heating unit and reduces the cost of two appliances.
- Suitable for new construction, retrofits, renovations and upgrades.

**HIGH QUALITY**

- Heavy gauge steel cabinet with powder coated finish.
- Insulated and sealed cabinet reduces air leakage and noise.
- Canadian made, engineered, designed, and fully supported.

DESCRIPTION		IFLH-160000
Heat Cap. Range	BTUH	34,211 - 76,982
Flow Rating	LPM / GPM	11 / 2.9
Return Air Temp.	°C / °F	22 / 72
E. S. P.	inWC	0.6 / 1.5
Airflow	SCFM	1222 / 1,009
Cooling Capacity	Ton	1.5 - 3
Voltage	ACV/Hz/Ph	AC 120V 60Hz 1Ph
Motor	HP	1 / 2
	Type	ECM Eon
	W	519 / 516
Piping Connection	Supply	Outside Diameter: 3 / 4" Male NPT
		Inner Diameter: 1/2" Sweat
	Return	Outside Diameter : 3 / 4" Male NPT
		Inner Diameter 1/2" Sweat
Hydronic Heating Coil	Aluminum Ultra Efficiency Fins, Copper Tubing	



**Compact  
Size**

**Fits in  
a closet**

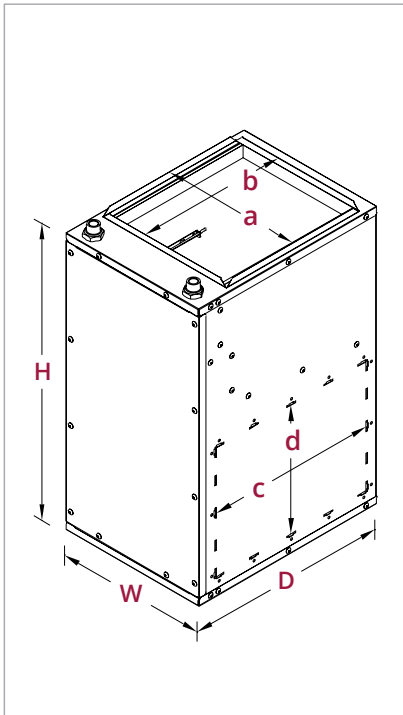
**Multi  
Position**

**FREE iFLOW APP  
AVAILABLE**

- Easy management by smartphone
- Complete platform for IoT
- Smart thermostat for homeowner
- Easy set up for installer

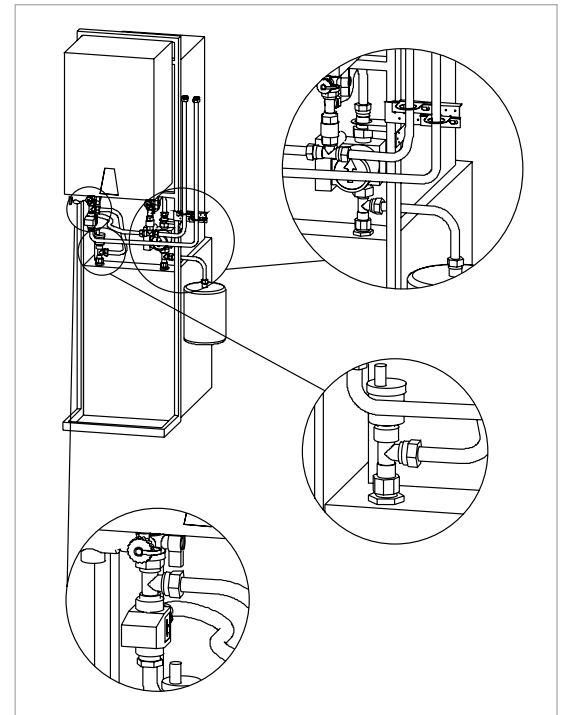


### DIMENSION



MODEL	IFLH-160000	
Width	16"	(406.4 mm)
Depth	20 3/4"	(527.1 mm)
Height	27 1/8"	(689.0 mm)
a	14"	(355.6 mm)
b	16"	(406.4 mm)
c	18"	(457.2 mm)
d	13"	(330.2 mm)
Weight	71 lb	(32 kg)
Material	Cold Roll Steel Sheet Metal / Powder Coated	

### EZEE PLUMBING KIT (Quick Installation)



### WATER HEAT CAPACITY & WATER PRESSURE DROP CHART

H.EX. ROWS	ENTER-ING WATER TEMP.	3 GPM					W.P.D	4 GPM					W.P.D
		CFM						CFM					
		600	800	900	1000	1250		600	800	900	1000	1250	
4	120°F	24,625	27,865	29,865	31,087	34,211	3.7	28,268	30,042	31,986	34,109	38,287	5.7
	130°F	28,218	33,572	35,724	37,429	41,357	3.7	33,625	36,256	38,524	41,162	46,456	5.7
	140°F	32,865	39,218	41,625	43,843	48,379	3.7	38,245	42,367	45,412	48,235	53,971	5.5
	150°F	37,536	45,075	47,536	50,327	55,485	3.6	42,765	48,559	52,369	55,149	61,864	5.5
	160°F	42,125	50,732	53,425	56,798	62,632	3.6	47,325	54,632	58,489	62,268	69,832	5.4
	170°F	46,852	56,579	59,425	63,266	69,769	3.5	51,869	60,861	64,542	69,345	77,846	5.4
	180°F	51,425	62,329	65,325	69,747	76,982	3.5	56,465	67,054	72,369	76,486	85,742	5.3

STANDARD MODELS	Wi-Fi MODELS	ZONING MODELS (Wi-Fi)
iFLH-140000	iFLH-14000W	iFLH-16000D (Two Zones)
iFLH-160000	iFLH-16000W	iFLH-18000D (Two Zones)
iFLH-180000	iFLH-18000W	iFLH-18000Q (Four Zones)



**iFLOW HVAC INC.**  
 29 Howden Rd. Toronto ON  
 M1R 3C7  
 1-800-985-9227  
 www.iflowhvac.com