



iFLH - 180000

HIGH EFFICIENCY

- Highest performance at 98% efficiency.(TPF 0.98 / CSA P .9-11)
- Ultra efficient heat exchanger design.
- Full modulation capabilities to suit space load requirements extending system run time and eliminating short cycles improving efficiency.
- Variable speed ECM blower provides control of air flow that can be adjusted to suit space load requirements and duct system.
- Intelligent pump modulation provides control of water flow that can be adjusted.

COMFORT & FLEXIBILITY

- Space zoning with integral control provides temperature control on each each level or specific rooms.
- Single, double, and quad smart zoning with integral control providing thermal storage technology.
- Hybrid heating system using dual fuels and match air handler with any hot water heat source.

CONVENIENT & COST EFFECTIVE

- Combine domestic hot water and space heating in one efficient system. Simple installation and easily configured parameters using push button display.
- Eliminates the venting of the space heating unit and reduces the cost of two appliances.
- Suitable for new construction, retrofits, renovations and upgrades.

HIGH QUALITY

- Heavy gauge steel cabinet with powder coated finish.
- Insulated and sealed cabinet reduces air leakage and noise.
- Canadian made, engineered, designed, and fully supported.

DESCRIPTION		iFLH - 180000
Heat Cap. Range	BTUH	42,376 - 94,633
Flow Rating	LPM / GPM	10.6 / 2.8
Return Air Temp.	°C / °F	22 / 72
E. S. P.	inWC	0.6
Airflow	SCFM	1423
Cooling Capacity	Ton	2 - 4
Voltage	ACV/Hz/Ph	AC 120V 60Hz 1Ph
Motor	HP	3 / 4
	Type	ECM Eon
	W	592
Piping Connection	Supply	Outside Diameter: 3 / 4" Male NPT
		Inner Diameter: 1/2" Sweat
	Return	Outside Diameter : 3 / 4" Male NPT
		Inner Diameter 1/2" Sweat
Hydronic Heating Coil	Aluminum Ultra Efficiency Fins, Copper Tubing	



Compact Size

Fits in a closet

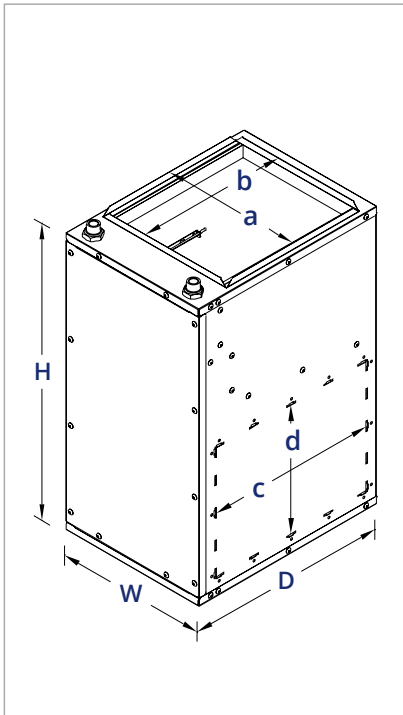
Multi Position

FREE iFLOW APP AVAILABLE

- Easy management by smartphone
- Complete platform for IoT
- Smart thermostat for homeowner
- Easy set up for installer

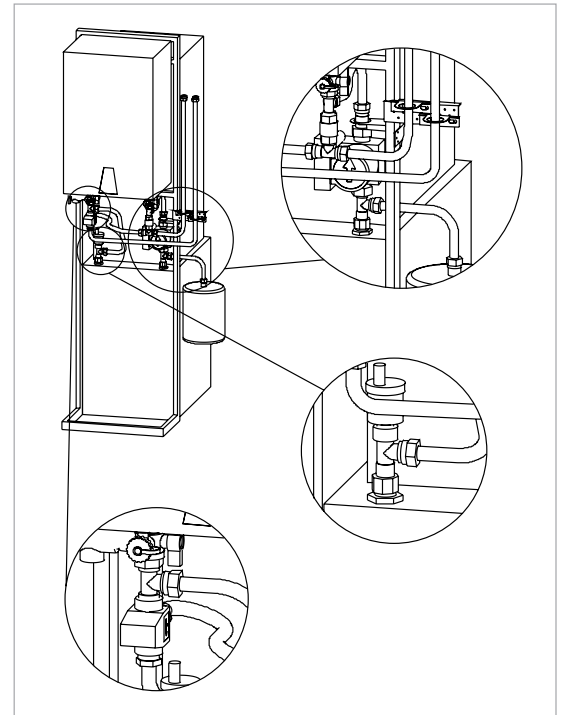


DIMENSION



MODEL	iFLH-180000	
Width	18 "	(457.2 mm)
Depth	25 3/4 "	(654.1 mm)
Height	29 1/8 "	(739.8 mm)
a	16 "	(406.4 mm)
b	20 "	(508.0 mm)
c	23 "	(584.2 mm)
d	14 "	(355.6 mm)
Weight	92.5 lb	(42 kg)
Material	Cold Roll Steel Sheet Metal / Powder Coated	

EZEE PLUMBING KIT (Quick Installation)



WATER HEAT CAPACITY & WATER PRESSURE DROP CHART

H.EX. ROWS	ENTER-ING WATER TEMP.	3 GPM					W.P.D	4 GPM					W.P.D
		CFM						CFM					
		600	800	1000	1200	1450		600	800	1000	1200	1450	
4	120°F	28,963	34,245	35,648	38,946	42,376	5.6	30,125	36,203	38,224	42,376	46,638	6.9
	130°F	33,412	39,632	42,820	46,981	50,966	5.5	34,845	41,952	45,996	50,996	56,173	6.8
	140°F	37,954	45,126	50,157	54,844	59,632	5.5	39,652	47,623	53,756	59,465	65,789	6.7
	150°F	42,503	50,520	57,489	62,529	68,334	5.4	44,321	53,304	61,533	68,255	75,223	6.7
	160°F	47,127	55,963	64,732	70,931	77,065	5.3	49,032	59,123	69,325	76,905	84,896	6.6
	170°F	51,608	61,412	72,078	78,842	85,648	5.3	53,741	64,745	77,199	85,627	94,441	6.5
	180°F	56,129	66,846	79,354	87,055	94,633	5.2	58,429	70,487	84,923	94,336	104,056	6.4

STANDARD MODELS	Wi-Fi MODELS	ZONING MODELS (Wi-Fi)
iFLH-140000	iFLH-14000W	iFLH-16000D (Two Zones)
iFLH-160000	iFLH-16000W	iFLH-18000D (Two Zones)
iFLH-180000	iFLH-18000W	iFLH-18000Q (Four Zones)



iFLOW HVAC INC.
 29 Howden Rd. Toronto ON
 M1R 3C7
 1-800-985-9227
 www.iflowhvac.com