



iFLH - 210000

HIGH EFFICIENCY

- Highest performance at 98% efficiency
- Ultra-efficient heat exchanger design.
- Full modulation capabilities to suit space load requirements, extending system run times and eliminating short cycles improving efficiency.
- Variable speed ECM blower provides control of air flow that can be adjusted to suit space load requirements and duct system.
- Intelligent pump modulation provides GPM flow rate control for Δt optimization.

COMFORT & FLEXIBILITY

- Space zoning with integral control provides temperature control on each level or specific rooms.
- 21000 series is available in 1, 2, 3 or 4 zone capacities with integrated temperature sensors for precision thermal delivery control.
- Hybrid heating system using dual fuels
- Match air handler with any hot water heat source.

CONVENIENT & COST EFFECTIVE

- Combine domestic hot water and space heating in one efficient system. Simple installation and easily configured parameters using push button display.
- Eliminates the venting of the space heating unit and reduces the cost of two appliances.
- Suitable for new construction, retrofits, renovations and upgrades.

HIGH QUALITY

- Heavy gauge steel cabinet with powder coated finish.
- Insulated and sealed cabinet reduces air leakage and noise.
- Canadian made, engineered, designed, and fully supported.

DESCRIPTION		iFLH - 210000 (W, D, Q)	
Heat Cap. Range	BTUH	0 ~ 108,071	
Flow Rating	LPM / GPM	0 ~ 10.6 / 0~2.8	
Return Air Temp.	°C / °F	22 / 72	
E. S. P.	in WC	0.1~2.0	
Airflow	SCFM	100~ 2,000	
Cooling Capacity	Ton	1.5 - 5	
Voltage	ACV/Hz/Ph	AC 120V 60Hz 1Ph	
Motor	HP	1	
	Type	ECM	
	W (Max.)	837	
Piping Connection	Supply	Outside Diameter	3 / 4" Male NPT
		Inner Diameter	1/2" Sweat
	Return	Outside Diameter	3 / 4" Male NPT
		Inner Diameter	1/2" Sweat
Hydronic Heating Coil	Aluminum Ultra Efficiency Fins, Copper Tubing		



**Compact
Size**

**Fits in
a closet**

**Multi
Position**

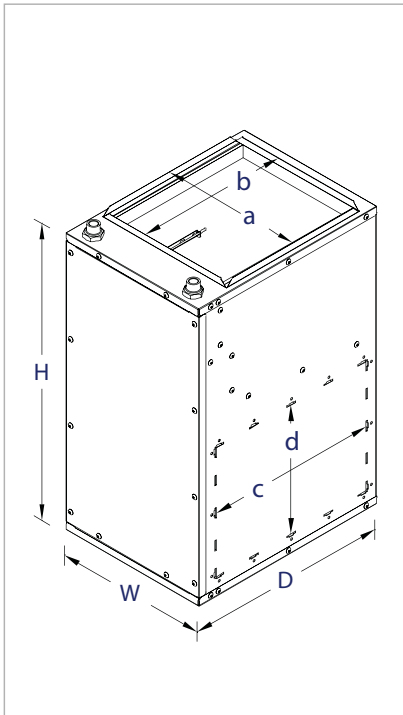


**FREE iFLOW APP
AVAILABLE**

- Easy management by smartphone
- Complete platform for IoT
- Smart thermostat for homeowner
- Easy set up for installer

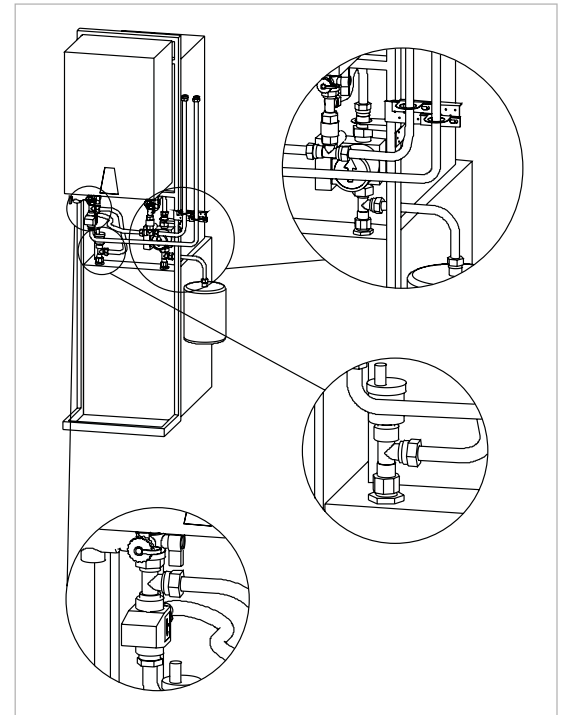


DIMENSION



MODEL	iFLH-210000	
Width	21 "	(533 mm)
Depth	25 3/4 "	(654 mm)
Height	29 1/8 "	(739 mm)
a	19 "	(483 mm)
b	20 "	(508 mm)
c	23 "	(584 mm)
d	14 "	(356 mm)
Weight	105 lb	(48 kg)
Material	Cold Roll Steel Sheet Metal / Powder Coated	

EZEE PLUMBING KIT (Quick Installation)



WATER HEAT CAPACITY & WATER PRESSURE DROP CHART

H.EX. ROWS	ENTERING WATER TEMP.	3 GPM								W.P.D
		CFM								
		600	800	1000	1200	1450	1600	1800	2000	
4	120°F	28,963	34,245	35,648	38,946	42,376	44,000	46,538	48,393	5.6
	130°F	33,412	39,632	42,820	46,981	50,966	53,900	56,031	58,203	5.5
	140°F	37,954	45,126	50,157	54,844	59,632	63,000	65,521	68,100	5.5
	150°F	42,503	50,520	57,489	62,529	68,334	72,100	75,431	78,037	5.4
	160°F	47,127	55,963	64,732	70,931	77,065	81,850	85,321	88,008	5.3
	170°F	51,608	61,412	72,078	78,842	85,648	90,758	94,788	97,810	5.3
	180°F	56,129	66,846	79,354	87,055	94,633	100,463	104,741	108,071	5.2

SINGLE ZONE MODELS	MULTI-ZONE MODELS
iFLH-140000W	iFLH-18000D (Two Zones)
iFLH-160000W	iFLH-18000Q (Four Zones)
iFLH-180000W	iFLH-21000D (Two Zones)
iFLH-21000W	iFLH-21000Q (Four Zones)



iFLOW HVAC INC.
 29 Howden Rd. Toronto ON
 M1R 3C7
 1-800-985-9227
 www.iflowhvac.com