



**iFLOW HEAT PUMP SUBMITTAL DATA SHEET**

iFLOW Cased A-Coil (IDU) & Heat Pump (ODU) System	
Location: _____ Engineer: _____ Submitted to: _____ Submitted by: _____ Reference: _____	Approval: _____ Date: _____ Construction: _____ Unit #: _____ Drawing #: _____

<b>Set Code</b>	22023110000768 22023111000510 22023116000081
<b>Indoor unit code</b>	22023111000510
<b>Outdoor unit code</b>	22023116000081
<b>Set Model</b>	70C1824BA 70HPIR24A
<b>Indoor unit model</b>	70C1824BA
<b>Outdoor unit model</b>	70HPIR24A
<b>Certified</b>	<div style="display: flex; align-items: center; gap: 10px;"> <div style="text-align: center;">   <b>AHRI</b> </div> <div style="text-align: center;">   <b>AHRM CERTIFIED</b> </div> <div style="text-align: center;">   <b>UL LISTED</b> </div> </div>



SYSTEM PERFORMANCE DATA			
<b>Power supply</b>			
Normal Operational Voltage	(V, Ph, Hz)	208/230V, 1Ph, 60Hz	
Voltage Range	(V)	187-253	
<b>Electrical</b>			
Minimum circuit ampacity(Outdoor)	(A)	19.0	
Max.fuse(Outdoor)	(A)	30.0	
Connection wiring		N/A	
<b>Cooling</b>			
Capacity	(Btu/h)	24000(9800~28200)	
Power Input	(W)	2400(380~2990)	
Current	(A)	9.0(1.0~12.0)	
SEER2	(Btu/W)	15.7	
EER2	(Btu/W)	10.0	
<b>Heating</b>			
Capacity	(Btu/h)	25600(9700~31000)	
Power Input	(W)	2246(510~3000)	
Current	(A)	8.5(2.0~12.0)	
HSPF2-4	(Btu/W)	9.8	
HSPF2-5	(Btu/W)	8.0	
COP	W/W	3.34	
Heat at 17F(H32)	(Btu/h)	22000	
Heat at 5F(H42)	(Btu/h)	18500	
COP at 5F(H42)	W/W	2.20	

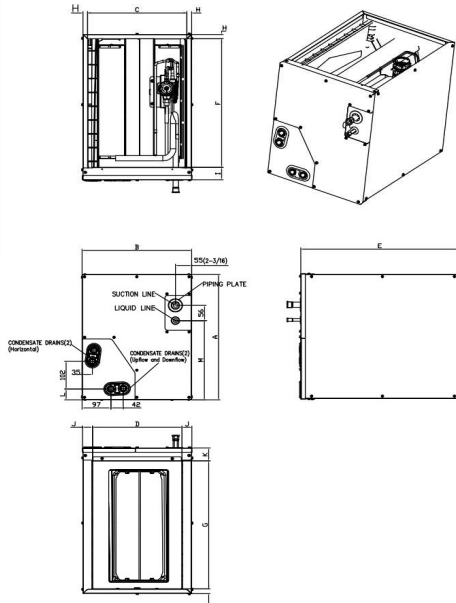
INDOOR UNIT DATA			
<b>IRV</b>	inch³3		58.30
<b>Air flow</b>	SCFM		550
<b>Pressure drop</b>	Pa		32.70
	In. wg.		0.13
<b>Air flow &amp; Noise level</b>			
Indoor air flow (Hi/Med/Lo) (No duct)	(CFM)		//705.88//
Indoor noise level (Hi/Med/Lo)	[dB(A)]		0/0/0
<b>Dehumidification</b>	(LH)		2.94
<b>Indoor unit</b>			
Dimension (WxDxH)	(inch)	17.52x20.98x17.99	
	(mm)	445x533x457	
Packing(WxDxH)	(inch)	20.47x26.18x20.28	
	(mm)	520x665x515	
Net/Gross weight	(lbs.)	42.77/52.03	
	(kg)	19.4/23.6	

REFRIGERANT PIPE DATA			
Throttle type	Indoor unit	TXV	
	Outdoor unit	EEV for heating	
Design pressure	(PSIG)	550/340	
Refrigerant Type		R410A	
Refrigerant charge	oz	74.08	
Refrigerant precharge	(ft)	25.0	
	(m)	7.5	
Additional charge for each ft	(oz/ft)	0.69	
Additional charge for each m	(g/m)	65.0	
Liquid side/ Gas side(indoor)	(inch)	3/8" / 3/4"	
	(mm)	9.52/19	
Liquid side/ Gas side(outdoor)	(inch)	3/8" / 5/8"	
	(mm)	9.52/16	
Max. pipe length	(ft)	164.0	
	(m)	50.0	
Max. difference in level	(ft)	82.0	
	(m)	25.0	
Connection method		Flared	
Indoor(cooling)	(Deg. °F)	60~90	
	(Deg. °C)	16~32	
Indoor(heating)	(Deg. °F)	32~86	
	(Deg. °C)	0~30	
Outdoor(cooling)	(Deg. °F)	5~122	
	(Deg. °C)	-15~50	
Outdoor(heating)	(Deg. °F)	-13~75	
	(Deg. °C)	-25~24	

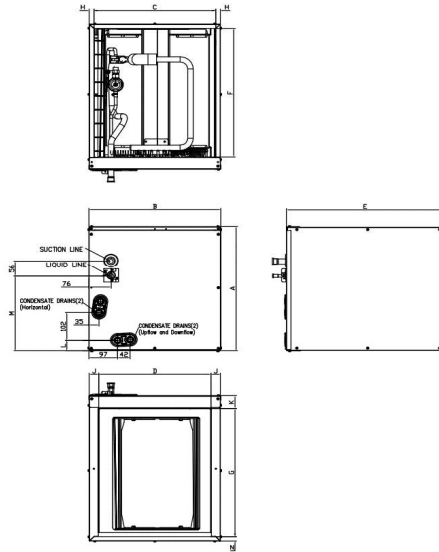
OUTDOOR UNIT DATA			
<b>Compressor</b>			
Type		Twin-ROTARY	
Model		KTM240D57UMT	
Brand		GMCC	
Capacity	(Btu/h)	26409	
Input	(W)	2085	
Rated current (RLA)	(A)	14	
Refrigerant oil/oil charge	(ml)	ESTER OIL VG74 670	
<b>Outdoor fan motor</b>			
Model		ZKFN-80-8-3	
Qty		1	
Input	(W)	/	
Output	(W)	80	
RLA	(A)	1.0	
Speed	(r/min)	810/720	
<b>Air flow &amp; Noise level</b>			
Outdoor air flow (Max.)	(CFM)		1765
Outdoor noise level	[dB(A)]		61.5
<b>Outdoor unit</b>			
Dimension (W×D×H)	(inch)	35.04x13.46x26.50	
	(mm)	890x342x673	
Packing (W×D×H)	(inch)	39.17x15.67x29.13	
	(mm)	995x398x740	
Net/ Gross weight	(lbs.)	102.29/109.13	
	(kg)	46.4/49.5	
<b>Accessories</b>			
Adaptor for welding(3/4")	Qty		1
Adaptor for welding(3/8")	Qty		1
Adaptor (5/8" to 3/4")	Qty		1

Indoor unit dimension

NEW PANEL STYLE

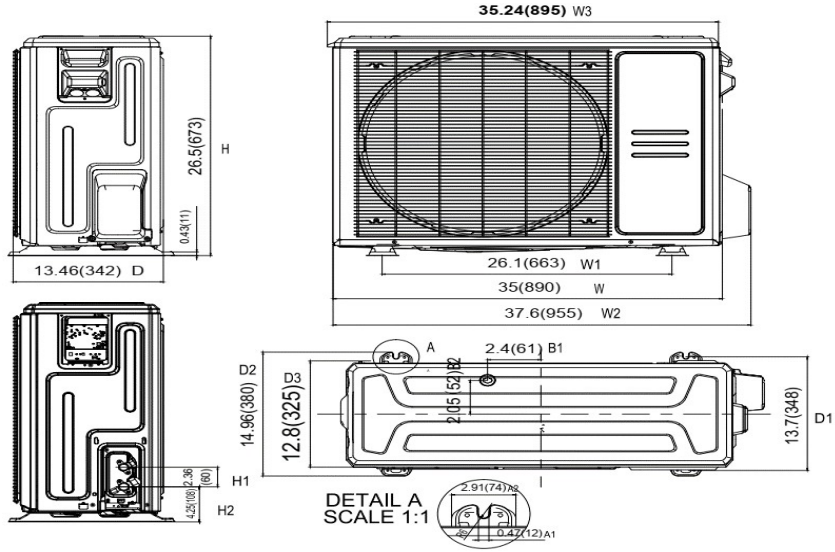


OLD PANEL STYLE



Dimensions	KV-14F-A 18K/20K/22K/24K		KV-14F-B 30K (40K)		KV-17F-A 30K/36K		KV-17F-B 18K/24K		KV-21F-A 30K/36K/48K		KV-21F-B 48K		KV-24F-A 60K	
	inch	mm	inch	mm	inch	mm	inch	mm	inch	mm	inch	mm	inch	mm
A Model Height	18	457	23-1/2	598	23-1/2	599	18	461	24	609	28	711	28	711
B Model Width	14-1/2	368	14-1/2	368	17-1/2	445	17-1/2	445	21	533	21	533	24-1/2	622
C Supply Air Opening Width	13-1/4	336	13-1/4	336	16-3/16	411	16-3/16	411	19-3/4	502	19-3/4	502	23-1/4	591
D Return Air Opening Width	12	303	12	303	15-1/8	384	15-1/8	384	19-1/2	496	19-1/2	496	23	585
E Model Depth	21	534	21	534	21	533	21	533	21	533	21	533	21	533
F Supply Air Opening Depth	18-5/8	473	18-5/8	473	18-5/8	473	18-5/8	473	18-5/8	473	18-5/8	473	18-5/8	473
G Return Air Opening Depth	18-1/2	471	18-1/2	471	18	458	18	458	18-1/2	470	18-1/2	470	18-1/2	470
H Supply Air Opening Side Clearance	5/8	16	5/8	16	5/8	16	5/8	16	5/8	16	5/8	16	5/8	16
I Supply Air Opening Front Clearance	1-3/4	45	1-3/4	45	1-3/4	45	1-3/4	45	1-3/4	45	1-3/4	45	1-3/4	45
J Return Air Opening Side Clearance	5/8	16	5/8	16	1-3/16	30	1-3/16	30	3/4	19	3/4	19	3/4	19
K Return Air Opening Front Clearance	1-13/16	46	1-13/16	46	1-13/16	46	1-13/16	46	1-13/16	46	1-13/16	46	1-13/16	46
L Condensate Drains Height	1-9/16	40	1-9/16	40	1-7/16	37	1-7/16	37	2-1/8	54	2-1/8	54	2-1/8	54
M Liquid Line Height	11-1/2	292	11-1/2	292	16-1/2	418	10-7/8	276	16-5/16	414	21	533	20-1/4	514
N Return Air Opening Side Clearance	3/4	19	3/4	19	3/4	19	1-3/16	30	3/4	19	3/4	19	3/4	19

Outdoor unit dimension





## IFLOW

Central Air Conditioning Heat Pump (HP)

Singlezone Ducted, Centrally Ducted

AHRI Cert #+: 217729802

Outdoor Unit Model #+: 70HPIR24A

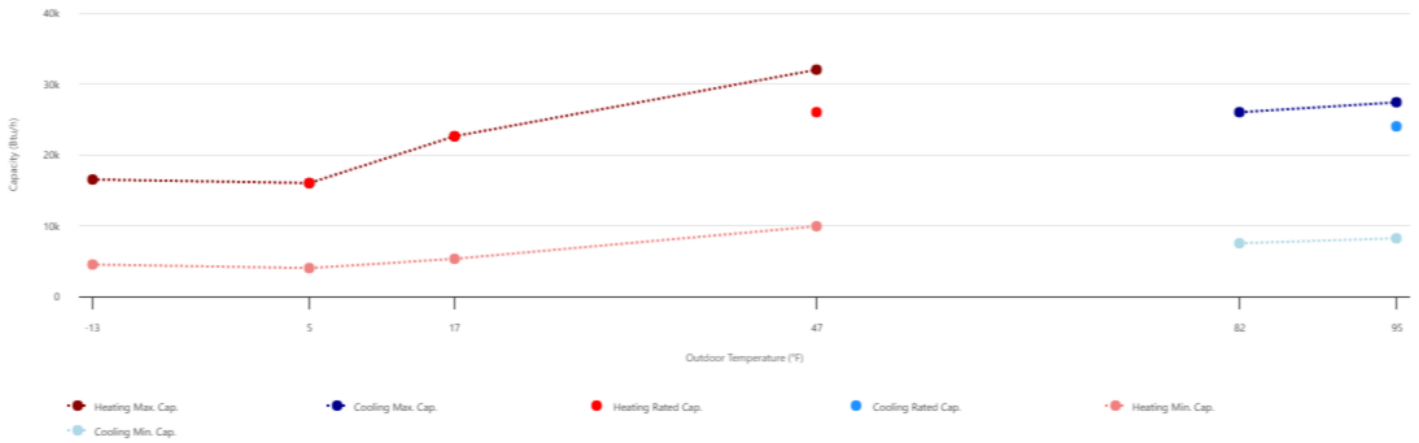
Indoor Model #+: 70CI824BA

🔥 Maximum Heating Capacity (Btu/h) @5°F: 18,500

🔥 Rated Heating Capacity (Btu/h) @47°F: 25,600

❄️ Rated Cooling Capacity (Btu/h) @95°F: 24,000

Heating/Cooling Capacity Graph



## Information Tables

Brand	IFLOW
Series	
Ducting Configuration	Singlezone Ducted, Centrally Ducted
AHRI Certificate #*	217729802
Outdoor Unit Model #*	70HPIR24A
Indoor Model #*	70C1824BA
Indoor Unit Type*	
Furnace Model #	
EER*	
SEER*	
HSPF (Region IV)*	
EER2*	10
SEER2*	15.7
HSPF2 (Region IV)*	9.8
HSPF2 (Region V)	8
ENERGY STAR V6.1	✗
ENERGY STAR V6.1 Cold Climate	✗
ENERGY STAR V5.0	✗
Federal Tax Credit Eligibility North	
Federal Tax Credit Eligibility South	
CEE Tier 1 Path A (2025)	✗
CEE Tier 1 Path B (2025)	✗
Capacity Maintenance (Rated 17°F/Rated 47°F)	85%
Capacity Maintenance (Rated 5°F/Rated 47°F)	72%
Capacity Maintenance (Max 5°F/Rated 47°F)	72%
Variable Capacity	✓
Integration	
Connectivity	
Operational Diagnostics	
Refrigerant	R-410A
Created At	2025-09-24
Updated At	2025-09-24
Sold In*	USA, Canada

## Performance Specs

Heating / Cooling	Outdoor Dry Bulb	Indoor Dry Bulb	Unit	Min	Rated*	Max
Cooling	95°F	80°F	Btu/h*	7,000	24,000	28,200
			kW	0.38	2.4	2.99
			COP	5.4	2.93	2.76
Cooling	82°F	80°F	Btu/h*	6,500	-	30,200
			kW	0.7	-	2.5
			COP	2.72	-	3.54
Heating	47°F	70°F	Btu/h*	7,700	25,600	31,000
			kW	0.51	2.25	3
			COP	4.42	3.33	3.03
Heating	17°F	70°F	Btu/h*	5,900	22,000	23,600
			kW	0.76	2.58	3.23
			COP	2.28	2.5	2.14
Heating	5°F	70°F	Btu/h*	4,600	18,500	18,500
			kW	0.71	2.46	2.46
			COP	1.9	2.2	2.2
Heating	-13°F	70°F	Btu/h*	3,500	-	12,800
			kW	0.8	-	2.84
			COP	1.28	-	1.32

# Certificate of Product Ratings

AHRI Certified Reference Number : 217729802    Date : 12-10-2025    Model Status : Active

AHRI Type : HRCU-A-C (Split System: Heat Pump with Remote Outdoor Unit with No Indoor Fan --Air Source)

Outdoor Unit Brand Name : iFLOW

Outdoor Unit Model Number (Condenser or Single Package) : 70HPIR24A

Indoor Unit Model Number (Evaporator and/or Air Handler) : 70C1824BA

The manufacturer of this iFLOW product is responsible for the rating of this system combination.

Rated as follows in accordance with the latest edition of AHRI 210/240 - 2017 with Addendum 1, Performance Rating of Unitary Air-Conditioning & Air-Source Heat Pump Equipment and subject to rating accuracy by AHRI-sponsored, independent, third party testing:

Cooling Capacity (A2) - Single or High Stage (95F), btuh : 24000

SEER : 15.00

EER (A2) - Single or High Stage (95F) : 10.30

Heating Capacity (H12) - Single or High Stage (47F) : 25000

HSPF (Region IV) : 10.00

Rated as follows in accordance with the latest edition of AHRI 210/240 – 2024, Performance Rating of Unitary Air-Conditioning & Air-Source Heat Pump Equipment and subject to rating accuracy by AHRI-sponsored, independent, third party testing:

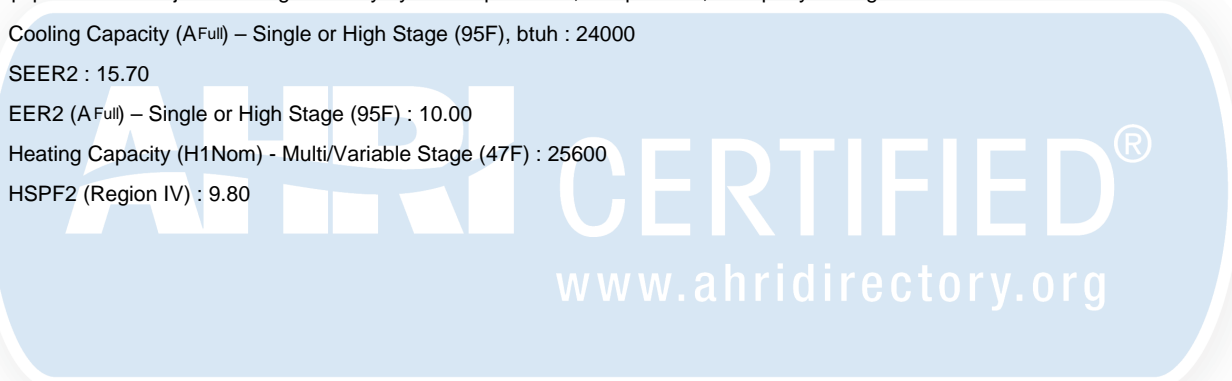
Cooling Capacity (A<sub>Full</sub>) – Single or High Stage (95F), btuh : 24000

SEER2 : 15.70

EER2 (A<sub>Full</sub>) – Single or High Stage (95F) : 10.00

Heating Capacity (H1Nom) - Multi/Variable Stage (47F) : 25600

HSPF2 (Region IV) : 9.80



†'Active' Model Status are those that an AHRI Certification Program Participant is currently producing AND selling or offering for sale; OR new models that are being marketed but are not yet being produced. "Production Stopped" Model Status are those that an AHRI Certification Program Participant is no longer producing BUT is still selling or offering for sale.

Ratings that are accompanied by WAS indicate an involuntary re-rate. The new published rating is shown along with the previous (i.e. WAS) rating.

The Department of Energy has published updated energy efficiency metrics for central air conditioners and heat pumps. This publication reflects both the 1987 metric (SEER) and the 2023 metric (SEER2). Efficiency requirements are published at 10 C.F.R. 430.32(c). Please refer to www.AHRInet.org for more information about updated energy efficiency metrics.

#### DISCLAIMER

AHRI does not endorse the product(s) listed on this Certificate and makes no representations, warranties or guarantees as to, and assumes no responsibility for, the product(s) listed on this Certificate. AHRI expressly disclaims all liability for damages of any kind arising out of the use or performance of the product(s), or the unauthorized alteration of data listed on this Certificate. Certified ratings are valid only for models and configurations listed in the directory at [www.ahridirectory.org](http://www.ahridirectory.org).

#### TERMS AND CONDITIONS

This Certificate and its contents are proprietary products of AHRI. This Certificate shall only be used for individual, personal and confidential reference purposes. The contents of this Certificate may not, in whole or in part, be reproduced; copied; disseminated; entered into a computer database; or otherwise utilized, in any form or manner or by any means, except for the user's individual, personal and confidential reference.

#### CERTIFICATE VERIFICATION

The information for the model cited on this certificate can be verified at [www.ahridirectory.org](http://www.ahridirectory.org), click on "Verify Certificate" link and enter the AHRI Certified Reference Number and the date on which the certificate was issued, which is listed above, and the Certificate No., which is listed at bottom right.

©2025 Air-Conditioning, Heating, and Refrigeration Institute



we make life better™

**CERTIFICATE NO.:**

134098435122453494